

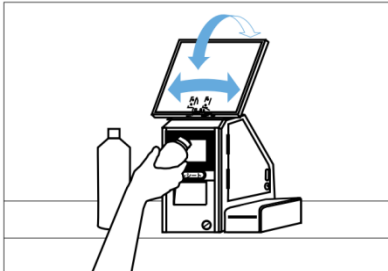
GHG-T30S15 Dual Axis Torque Hinge

Features

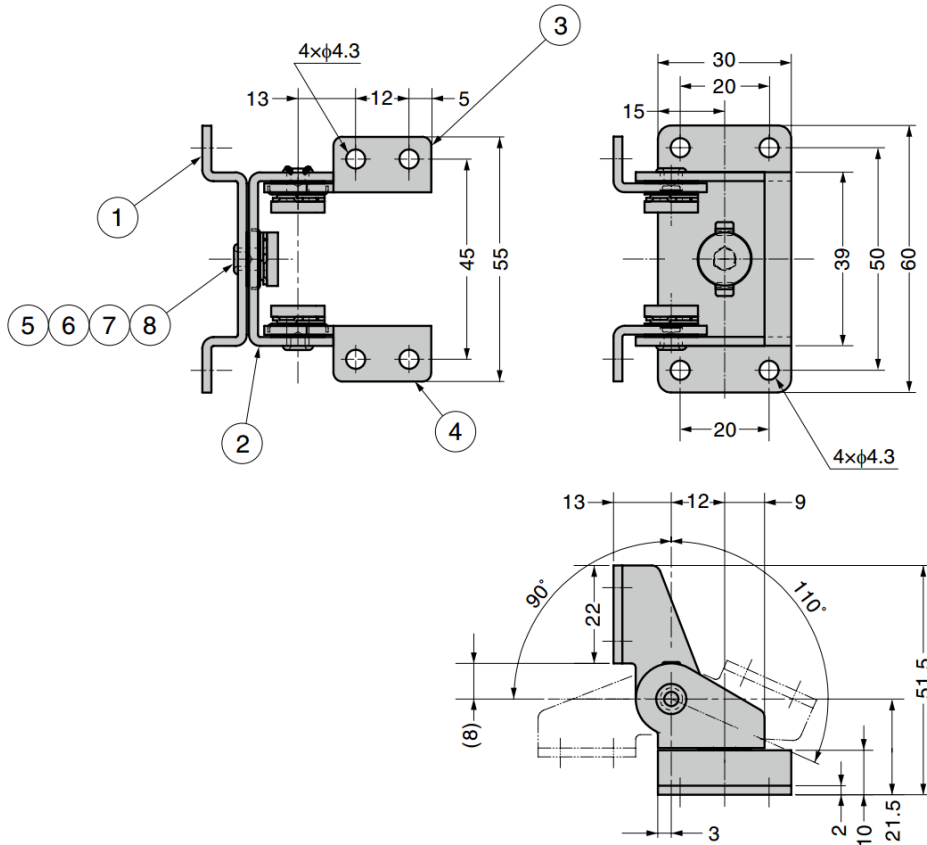
- Dual axis: Can hold at any angle in tilt & swivel
- Swivels 360°
- Surface mount base provides easy installation on cabinets
- Provides torque stability in both directions
- Passed 20,000 life cycle test

Notes

- Operating temperature: 0°C ~ 40°C
- Tilt angle and swivel angle may decrease depending on the size, shape and installation method of the monitor / panel used
- Do not use in water splash environment



No.	Part Name	Material	Finish
①	Base plate	Stainless Steel (SUS430)	Barrel Polished
②	Base		
③	Bracket L		
④	Bracket R		
⑤	Shaft	Stainless Steel (SUS303)	-
⑥	F Plate A	Bronze	
⑦	F Plate B		
⑧	Spring Washer	Steel (SK)	



Part No.	Tilting Torque (per piece)		Swiveling Torque (per piece)	
GHG-T30S15	3.0 N.m $\pm 20\%$	30.6 kgf.cm $\pm 20\%$	1.5 N.m $\pm 20\%$	15.3 kgf.cm $\pm 20\%$